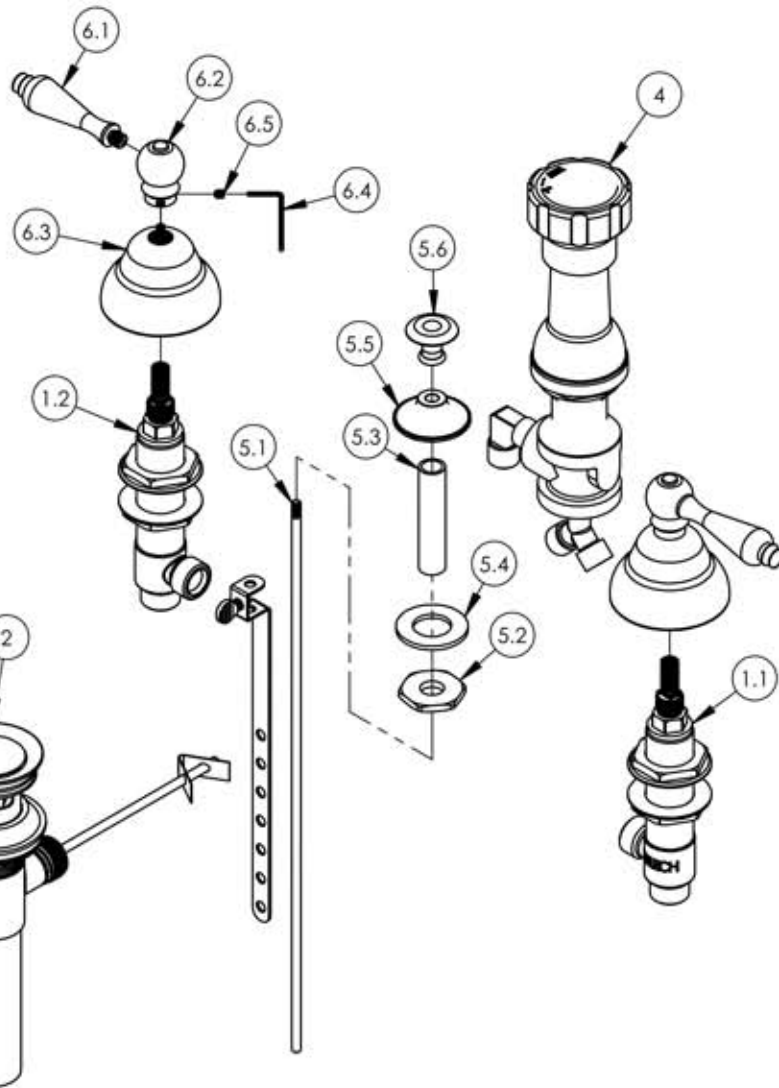


A



B

C

D

ITEM NO.	PART NUMBER	DESCRIPTION	QTY.
1	1-600	WIDESPREAD HOT AND COLD VALVES W/PLASTIC NUTS	1
1.1	1-109	WIDESPREAD VALVE COLD LAV 16PT	1
1.2	1-110	WIDESPREAD VALVE HOT LAV 16PT	1
2	3-046/00	POP-UP DRAIN ASSEMBLY (2-101, 2-102)	1
3	3-085/00	ASSY, BIDET SPRAYER	1
4	3-160/00	BIDET DIVERTER, COMPLETE	1
5	3-469/00	ASSY. BIDET POP-UP ROD, MONTAIONE BROW, REVERE & SAVANNAH	1
5.1	10719/00	POP-UP ROD, 10-24, 14" LONG	1
5.2	P09006	SPECIAL HEX F/BIDET SPRAYER	1
5.3	P32010	9/16-20 x 56 NIPPLE FOR COMPRESSION STEM	1
5.4	P35026	3/4" SAE FLAT WASHER	1
5.5	P09007/00	K4160 POP UP GUIDE	1
5.6	P04016	POP-UP KNOB FOR K160 / D100	1
6	3-470/00	ASSY. LEVER HANDLE, REVERE & SAVANNAH	2
6.1	P01032/00	K160 LEVER FOR HANDLE	1
6.2	P01031/00	K160 D100 BALL FOR HANDLE, HUB	1
6.3	P02004/00	K190X2 COVER PLATE	1
6.4	P39001	HEX KEY 5/64, FOR 8-32 SET SCREW	1
6.5	92008	SET SCREW, CUP POINT 8-32, 3/16" L.	2

E

ALL	A	-DRAWING UPDATED FOR BETTER CLARITY.	5/18/2016	GRE
-----	---	--------------------------------------	-----------	-----

ZONE	REV.	DESCRIPTION	DATE	APPROVED
REVISIONS				

1261 LOGAN AVENUE
COSTA MESA, CALIFORNIA 92626
PHONE: 714.361.4800
FAX: 714.617.3120

PHYLIRICH®

Defining Luxury Since 1959

PROPRIETARY AND CONFIDENTIAL
THE INFORMATION CONTAINED IN THIS DRAWING IS THE SOLE PROPERTY OF RISS MANUFACTURING. ANY REPRODUCTION IN PART OR AS A WHOLE WITHOUT THE WRITTEN PERMISSION OF RISS MANUFACTURING IS PROHIBITED.

NEXT ASSY		USED ON		INTERPRET GEOMETRIC DIMENSIONING & TOLERANCING IN ACCORDANCE WITH ASME Y14.5-2009 & ASME Y14.41-2003 STANDARDS. UNLESS OTHERWISE SPECIFIED, DIMENSIONS ARE IN INCHES. TOLERANCES ARE:		
APPLICATION		FRACTIONS ±1/64"	DECIMALS X.X: ±.1 X.XX: ±.01 X.XXX: ±.005	ANGULAR ±.5°		
MATERIAL	NAME		DATE			
FINISH	DRAWN	LLO	5/18/2016			
DO NOT SCALE DRAWING		CHECKED				

FOUR HOLE BIDET SET, REVERE & SAVANNAH SERIES, STRAIGHT LEVER

SIZE	ASM/PRT NO.	REV
A	D4100/00	A
SCALE: 1:4	WEIGHT: lbs.	SHEET 1 OF 1

5

4

3

2

1